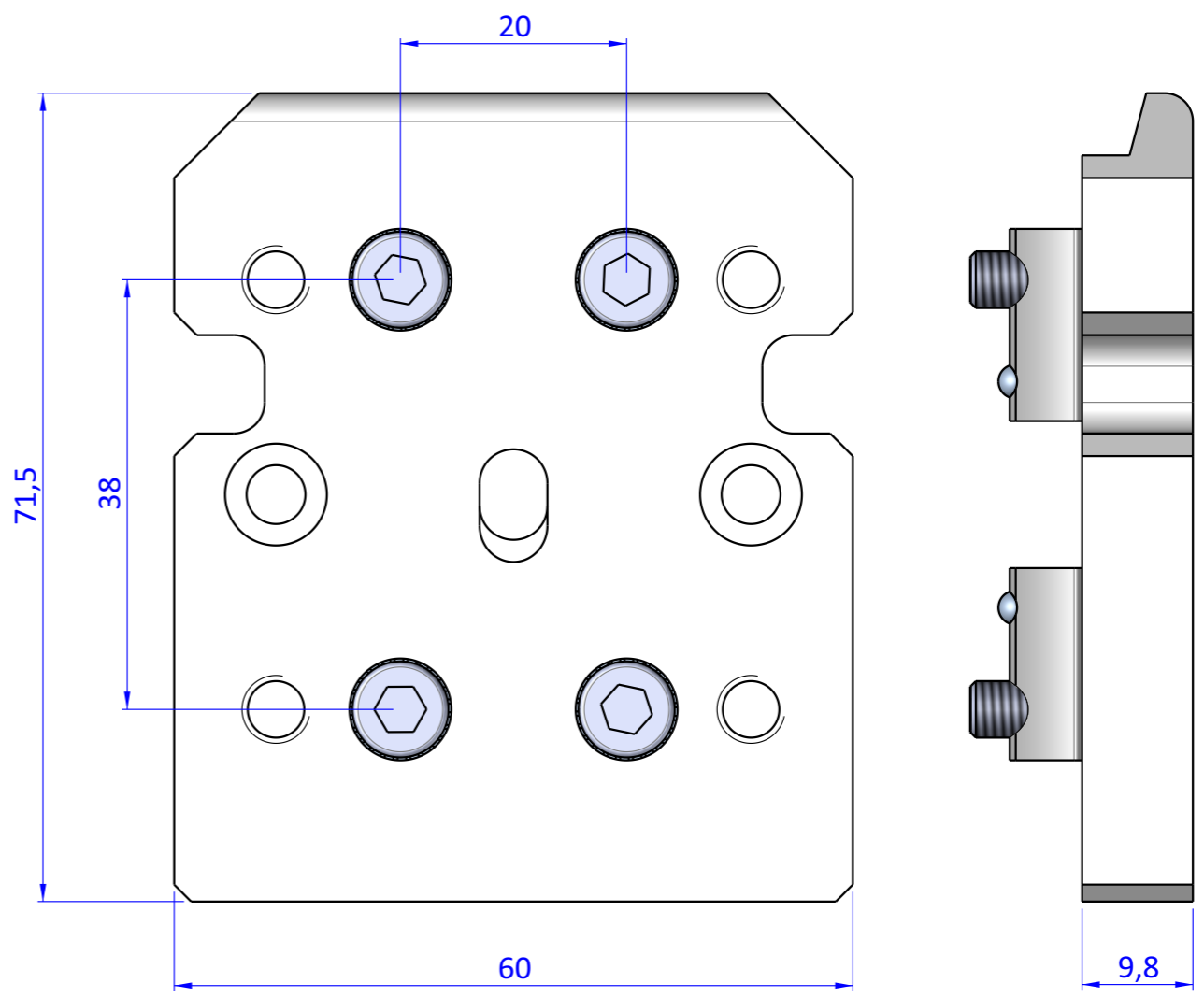
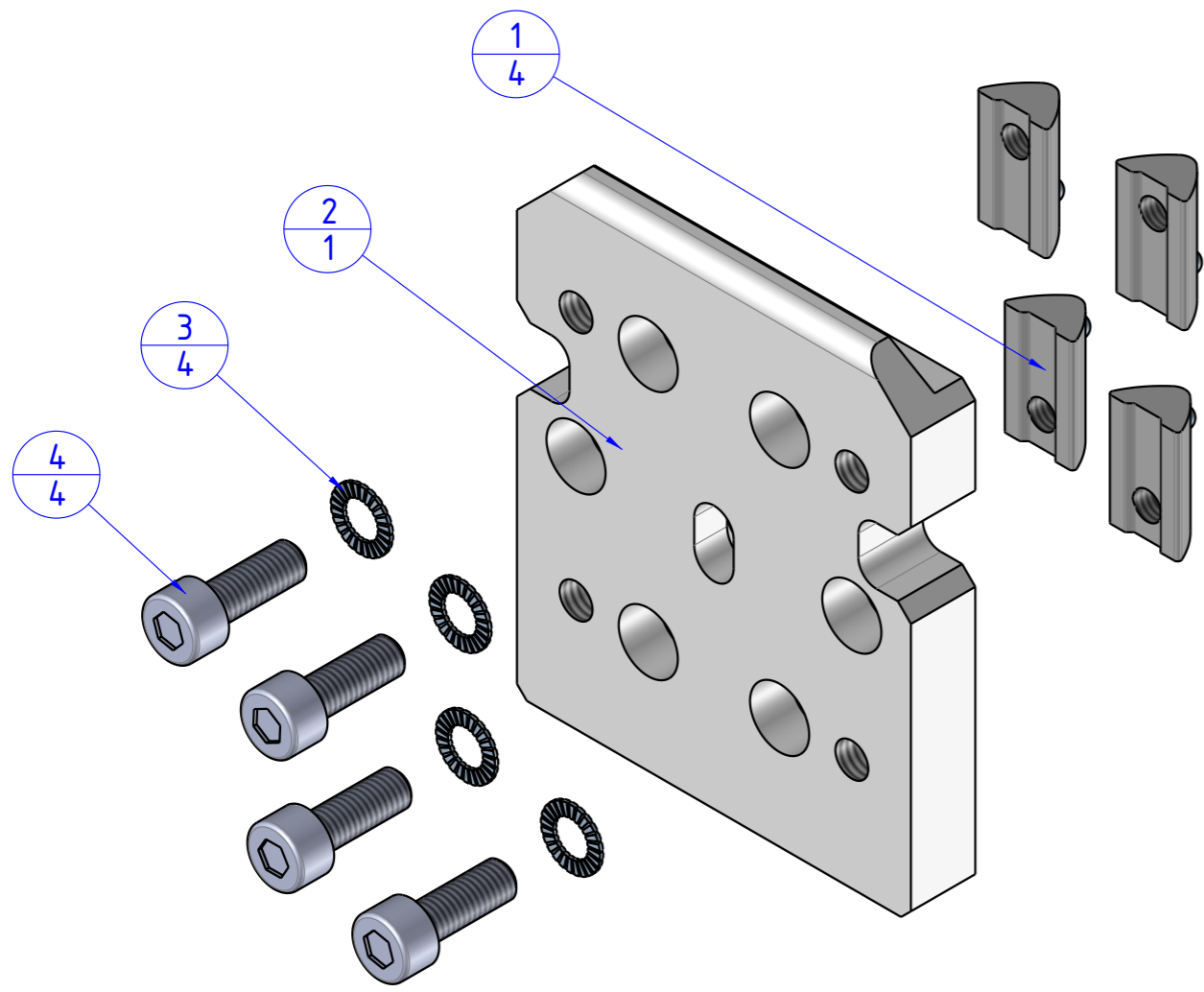



THE PROPERTY OF THE DRAWING IS ESTABLISHED BY LAW. IT IS FORBIDDEN TO PRODUCE OR SHOW IT TO THIRD PART - WITHOUT A WRITTEN AGREEMENT.

Item	Name	Q.ty
1	CA.02.05.005	4
2	CA.01.02.002	1
3	R.5.SCH	4
4	V.TCE5x14	4



Format A3  
UNI 936-76

 <b>FPS</b> FPSERVICES AUTOMATION		DESIGNED FROM		REVIEW
		FPS Automation		A
GENERAL TOLERANCE		DATE		WEIGHT
UNI - ISO 2768		17/01/2022		0,128kg
CLASSE f		CODE		
		CA.01.02.002.6		CA.01.02.002.6